



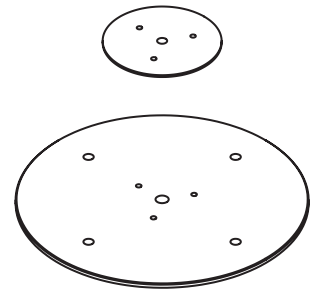
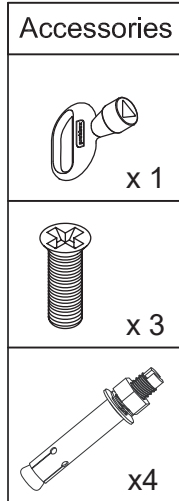
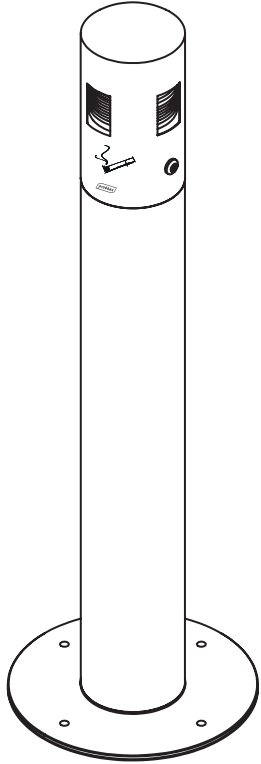
www.probbax.com
info@probbax.com

Instructions / Installation / Instalación / Installazione / Installatie / Montage Anleitung

Stand alone ashtray, AT-0295

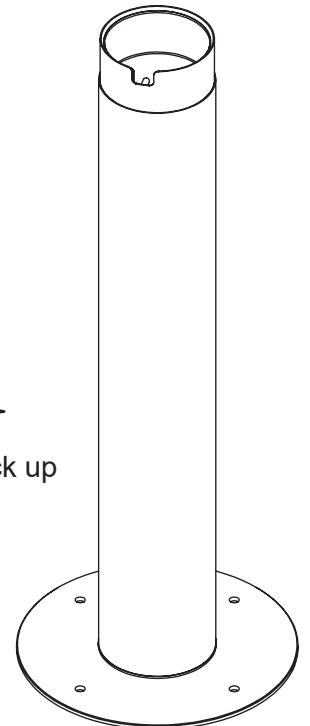
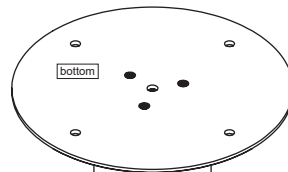
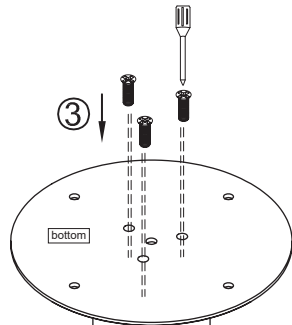
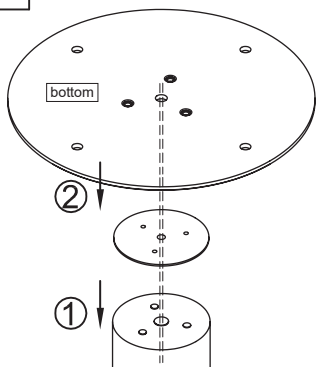
1

Pull out the head, take out of funnel and liner out of the body. Unpack the plate with rubber.



2

Assemble the body & plate with rubber



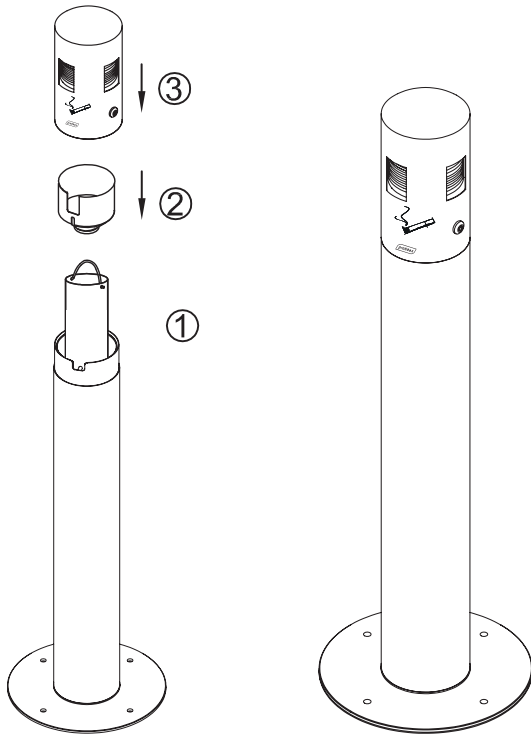
Turn upside down

④

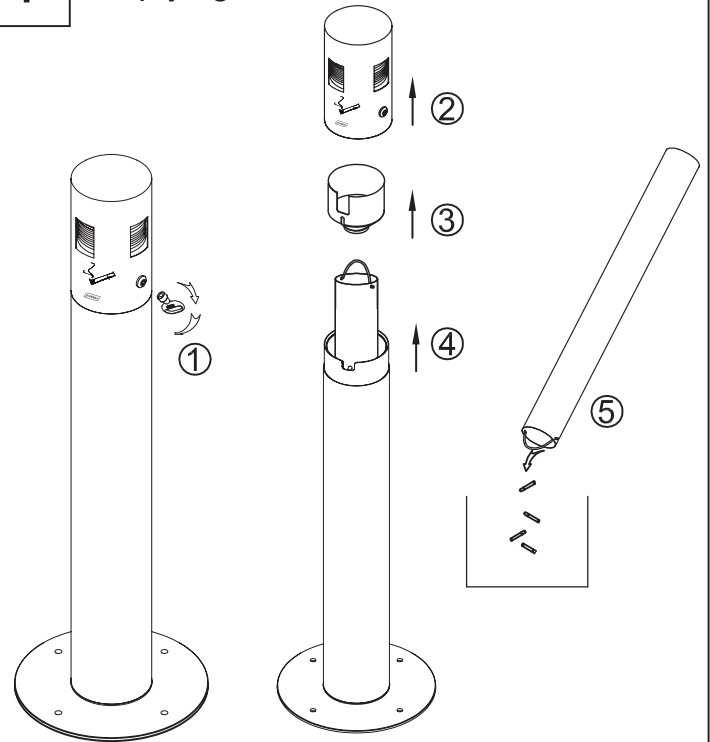
Turn back up

Stand alone ashtray, AT-0295

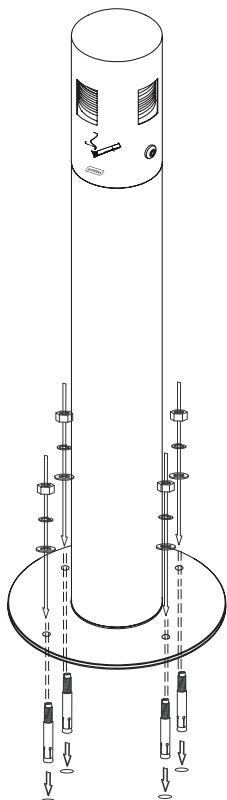
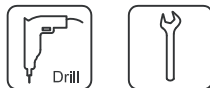
3 Insert liner & funnel. Lock head in position.



4 Emptying



5 Ground fixing



6 Optional weight
(cf. AT-0296 instructions)

